

S-80MB Mounting Bracket Kit

- For S-80A speaker system
- Wall or ceiling mounting possible

SPECIFICATIONS:

Wall/Ceiling Mounting Holes:

Three in-line, 6.35-mm (0.25-in.) diameter clearance holes, centers spaced 15.2-cm (6.0-in.) apart

Enclosure Mounting Holes:

Two 6.35-mm (0.25-in.) diameter clearance holes on the ends of the bracket

Material:

Hot-rolled steel

Finish:

Black powder coat

Parts Supplied (see Table 1):

- U-bracket
- 1/4-20 cap screws (two)
- Friction pads (two)
- Nylon washers (two)

Net Weight:

1.15 kg (2.53 lb)

Shipping Weight:

1.60 kg (3.53 lb)

WALL OR CEILING MOUNTING INSTRUCTIONS

Refer to Figure 1 and Table 1 for the following steps:

1. Attach the U-bracket (A) to the wall or ceiling using fasteners that are suitable for the wall or ceiling material (not supplied).

2. Remove the paper backing from one of the friction pads (D) and attach these to the U-bracket as shown.
3. Free the two holes on the top and bottom of the S-80A using a sharp knife to cut the plastic. (See S-80A data sheet for the exact position of these holes.)
4. Mount the S-80A to the U-bracket with the supplied cap screws (B), ensuring that the nylon washer (C) is mounted between the U-bracket and the cap screws.

5. Rotate the speaker so that the input terminal is accessible and attach the wires. Position the speaker for the desired angle and tighten the screws sufficiently so that the speaker does not inadvertently rotate.

CAUTION:

Due to the weight of the S-80A speaker system, it is imperative that the S-80MB bracket be properly secured to the wall or ceiling. The choice of fastener (not provided with bracket kit) will be determined by the material and construction of the mounting surface.

FIGURE 1 — Wall or Ceiling Mounting of S-80A Speaker System with S-80MB Mounting Bracket

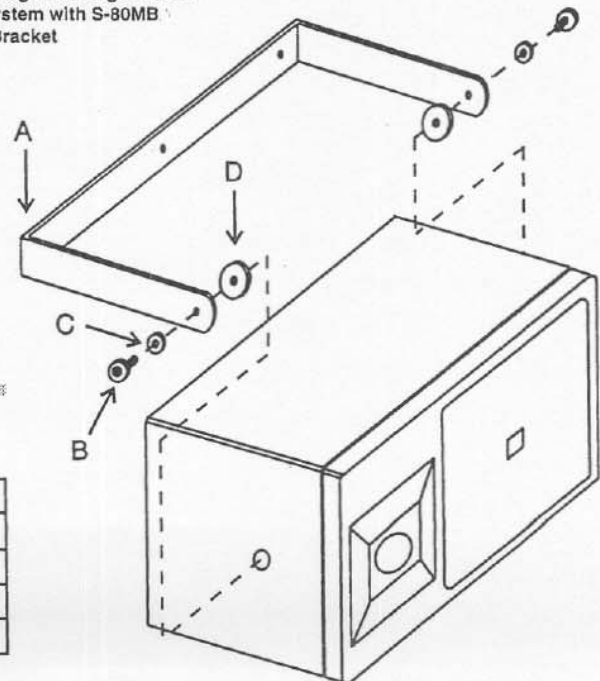


TABLE 1 — S-80MB Parts List

Item	Quantity	Description	Part Number
A	1	U-bracket	71765
B	2	1/4-20 cap screws	63179
C	2	Nylon washers	38018
D	2	Friction pads	38020

ELECTRO-VOICE UNIFORM LIMITED WARRANTY STATEMENT

Electro-Voice products are guaranteed against malfunction due to defects in materials or workmanship for a specified period, as noted in the individual product-line statement(s) below, or in the individual product data sheet or owner's manual, beginning with the date of original purchase. If such malfunction occurs during the specified period, the product will be repaired or replaced (at our option) without charge. The product will be returned to the customer prepaid. **Exclusions and Limitations:** The Limited Warranty does not apply to: (a) exterior finish or appearance; (b) certain specific items described in the individual product-line statement(s) below, or in the individual product data sheet or owner's manual; (c) malfunction resulting from use or operation of the product other than as specified in the product data

sheet or owner's manual; (d) malfunction resulting from misuse or abuse of the product; or (e) malfunction occurring at any time after repairs have been made to the product by anyone other than Electro-Voice or any of its authorized service representatives. **Obtaining Warranty Service:** To obtain warranty service, a customer must deliver the product, prepaid, to Electro-Voice or any of its authorized service representatives together with proof of purchase of the product in the form of a bill of sale or receipted invoice. A list of authorized service representatives is available from Electro-Voice at 600 Cecil Street, Buchanan, MI 49107 (616/695-6831 or 800/234-6831). **Incidental and Consequential Damages Excluded:** Product repair or replacement and return to the customer are the only remedies provided to the customer. Electro-Voice shall not be liable for any incidental or consequential damages including, without limitation, injury to persons or

property or loss of use. Some states do not allow the exclusion or limitation of incidental or consequential damages so the above limitation or exclusion may not apply to you. **Other Rights:** This warranty gives you specific legal rights, and you may also have other rights which vary from state to state.

Electro-Voice Accessories are guaranteed against malfunction due to defects in materials or workmanship for a period of one (1) year from the date of original purchase. Additional details are included in the Uniform Limited Warranty statement.

Service and repair address for this product: Electro-Voice, Inc., 600 Cecil Street, Buchanan, Michigan 49107 (616/695-6831 or 800/234-6831).

Specifications subject to change without notice.

